

TVB-5802

TruVision 2MPX, Stainless Steel, super low light, IP VF lens bullet camera, 11-40mm, True D/N, WDR, 100M IR, Micro SD/SDHC/SDXC slot, 24 VAC, IP67

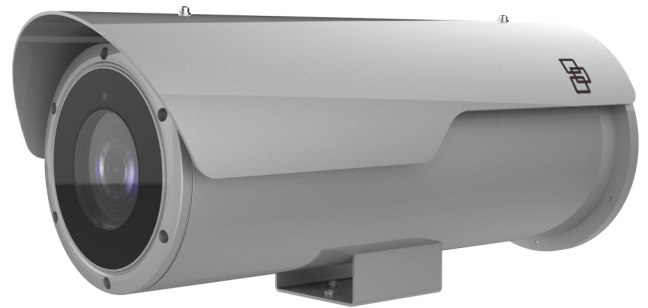
Overview

The TruVision Stainless Steel IP bullet camera leverages the latest H.265 video compression technology to bring state-of-the-art, high-definition pictures to the mass video surveillance market. With a resolution of 2 megapixels, this IP camera represents a flexible video surveillance device to meet the demanding requirements of marine and industrial requirements. Equipped with advanced technology and signal processing capability, they effectively capture video under challenging conditions.

TruVision cameras utilize H.264 and/or H.265 compression technology with triple-streaming capability, making it easy to manage the camera's bandwidth usage. Recording to a local MicroSD card (not included) protects data in the event of network disruptions.

This camera has enhanced alarm capabilities, including cross lines, intrusion, de-focus and face detection features. Each is user-configurable to best suit the installation environment. A Region of Interest function ensures specific portions of an image are given priority during instances of high network traffic or network degradation.

Location-specific functions include a Hallway View Mode to provide a portrait view of a hallway or corridor, a De-Fog Mode to help resolve images through fog or rain and Electronic Image Stabilization for installations subject to physical vibration or shaking.



Details

- Stainless Steel weather resistant construction for marine and industrial type environments
- Maximum Resolution: 1920 x 1080
- Maximum Real Time Resolution: 1920 x 1080 @ 25/30 fps (50/60 Hz)
- Designed to PSIA and ONVIF Profile G and S open standards
- H.265 and/or H.264 compression with triple-streaming functionality
- Edge recording up to 128GB SDHC card
- 1/1.8 CMOS image sensor
- Motorised IR Cut Filter
- Super Low Light: Color: 0.002 Lux @ (f1.2, AGC ON), 0 Lux IR on
- 11-40 mm lens
- Up to 100m IR illumination
- Up to 120dB Wide Dynamic Range
- Intelligence (Face detection, Audio Exception Detection, Intrusion Detection, De-focus Detection, Region of Interest (ROI), Electronic Image Stabilization (EIS), Defog, Scene Change Detection, Cross Line Detection, Advanced Motion Detection, Region Entrance Detection, Region Exit Detection, Object Removal, Object Left Behind, Object Counting)

TVB-5802

TruVision 2MPX, Stainless Steel, super low light, IP VF lens bullet camera, 11-40mm, True D/N, WDR, 100M IR, Micro SD/SDHC/SDXC slot, 24 VAC, IP67

Technical specifications

Camera

Sensor size	1/1.8"
Max. resolution	2 MPX
Sensor scan	Progressive
Sensor type	CMOS
Digital S/N ratio	50 dB (AGC Off)
Shutter time	1/3s - 1/100,000s

Lighting performance

WDR type	True WDR
WDR	120 dB
Digital noise reduction	3D DNR
Day/night	True Day/Night
Motorized IR cut filter	Yes
Color sensitivity	0.002 lux @ (F1.2, AGC ON)
B/W sensitivity	0 lux with IR on
Infrared (IR)	Yes
IR range	Up to 100 m

Encoding

Video streams	3
Main stream compression	H.264, H.265
Sub stream compression	H.264, H.265, MJPEG
Video bit rate	128kbps to 16Mbps
Main stream resolutions	1280 x 720 (XVGA), 1920 x 1080 (1080p), 1280 x 960 (720p)
Sub stream resolutions	1280 x 720 (XVGA), 1280 x 960 (720p), 176 x 144 (QCIF), 352 x 288 (CIF), 704 x 576 (4CIF)
Max. resolution @ fps	1920 x 1080 @ 50 fps

Lens

Lens type	Varifocal
Focal length	11-40mm
f-stop	f1.2
Auto iris	Yes

Network

Integration	CGI, ONVIF, PSIA
Supported network protocols	802.1x, DDNS, DHCP, DNS, FTP, HTTP, HTTPS, IPv4, IPv6, NTP, PPPoE, QoS, RTP, RTSP, SMTP, SNMP, TCP/IP, UPnP

Audio

Audio compression	G.711, G.722.1, G.726, MP2L2
Audio in	1
Audio out	1
Audio bit rate	32-128 Kbps (varies by compression standard)

Alarm I/O

Alarm inputs	1
Alarm outputs	1
Alarm I/O connection	Terminal Type

Storage

Local storage support	Yes
Local storage type	Built-in Micro SD/SDHC/SDXC card slot
Max. storage capacity	128GB

Video intelligence

Alarm trigger	Motion detection, Privacy Masking, Video tampering
Video analytics	Advanced motion detection, Audio exception detection, De-focus, Defog, Electronic Image Stabilization (EIS), Face detection, Intrusion detection, Line crossing detection, Object counting, Object left behind, Object removal detection, Region entrance detection, Region exiting detection, Scene change

General

Technology	IP
Video standard	NTSC, PAL
Display modes	Hallway View, Mirror, ROI (Region Of Interest)
Software compatibility	OnGuard, Prism, TruVision Navigator, TVRmobile, Web Browser

Electrical

Power supply value	24 VAC
Power consumption	100 W

Physical

Physical dimensions	465 x 190 x 180 mm
Net weight	10.1 Kg
Colour	Grey
Material	Stainless Steel
Form Factor	Bullet

Environmental

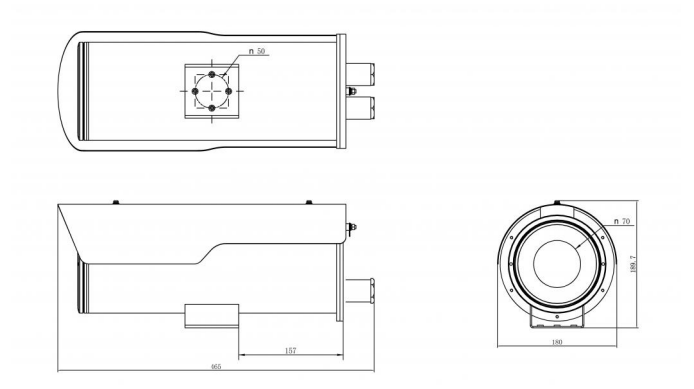
Operating temperature	-40 to +60°C
Relative humidity	<95% (non-condensing)
Environment	Outdoor
IP rating	IP67

Regulatory

Compliance	CE, FCC, REACH, RoHS, UL, WEEE
------------	--------------------------------

TVB-5802

TruVision 2MPX, Stainless Steel, super low light, IP VF lens bullet camera, 11-40mm, True D/N, WDR, 100M IR, Micro SD/SDHC/SDXC slot, 24 VAC, IP67



As a company of innovation, UTC Fire & Security reserves the right to change product specifications without notice. For the latest product specifications, visit UTC Fire & Security online or contact your sales representative.

Last updated on 20 November 2019 - 16:51



**United
Technologies**

Climate | Controls | Security