

**TC-NC514S**

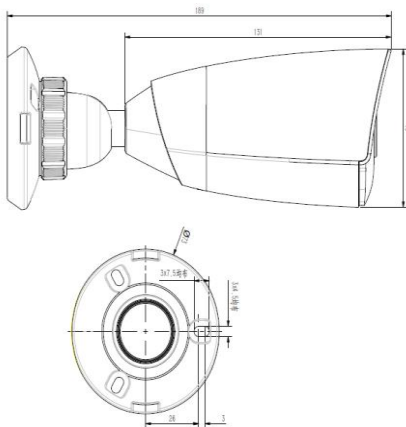
**5MP Starlight IR Mini Bullet Camera**



**Features**

- 1/2.8 Inch 5MP CMOS Sensor
- 4mm Fixed Lens, ICR Switch
- 10m ~ 20m IR
- Triple Stream, with Mainstream 2592x1944@18fps
- Support WDR, BLC,HLC, DNR and Image Flip
- Support Compression H.265,H.264 HP/MP/BP,M-JPEG Coding, and S+ Super Stream
- Character Superposition with Character Library including Vector and Lattice Options
- VCA including 8 Behavior Analytics, People Gathering, Video Abnormal Detection
- Support Corridor Model, Smart Defog and Scene Model
- ROI Video Compression Technology, SVC Coding Supported
- Image Superposition, MTU Setting, Multi Play, White/Black List, SNMP
- POE, DC12V Power Supply Supported
- Metal Shell, IP67 Protection, Surge Prevention 2000V
- TF Card Slot, Local Storage Supported

**Dimensions**



Camera	
Image Sensor	1/2.8" Inch 5MP CMOS
Core Processor	ARM7 Architecture
Operating System	Embedded Linux
Pixel	5MP
Image Resolution Ratio	Mainstream Highest Resolution: 5MP (2592x1944) Secondary Highest Resolution: 4CIF (704x576) Thirdd Stream Resolution: CIF (352x288)
Frame Rate	PAL: 2592*1944@18fps, 2560*1920@20fps, 2592*1520@25fps, 1440P@25fps, QXGA@25fps, 1080P@25fps, 960P@25fps, 720P@25fps, 640*360@25fps,4CIF@25fps, 2CIF@25fps, CIF@25fps NTSC: 2592*1944@18fps, 2560*1920@20fps, 2592*1520@25fps, 1440P@25fps, QXGA@30fps, 1080P@30fps, 960P@30fps, 720P@30fps, 640*360@30fps,4CIF@30fps, 2CIF@30fps, CIF@30fps
WDR	120 dB
High Light Control	Supported
Digital Noise Reducer	Supported
Electronic Shutter	1s~1/100000s
Min. Illumination	Colorful 0.002 Lux(F1.6,AGC ON)
Color to Black	Support Internal Synchronization, Black and White, Color, Time Settings
Video Parameters	Adjustable on Brightness, Contrast, Saturation, Color
Character Superposition	200x200 24bit BMP Image Superposition, Target Area Adjustable
Region of Interest	7 Interested Areas of Each Stream
Video Processing	WDR, HLC, DNR, Picture Enhance, BLC, Defog, Scene Model Setting, Corridor Model, Smart IR
Lens	
Focal Length	4mm
Horizontal Field Angle	81.5°
Interface Type	M12
IR Function	
Distance	10m~20m
Type	Lattice infrared light 2 Units
Smart IR	Support
Interface Performance	
Storage Interface	Micro SD Card 8-64G
Network Port	Adaptive Ethernet Port 10M/100M x 1
Extended Protocol	Onvif, P2P
Coding Mode	
Compression Standard	H.265/H.264/M-JPEG
Transmission Mode	Triple Stream
Other Function	
IE Visit	Preset Web Server
User Permission	≤7 Users
Local Storage	Micro SD Card 8-64G
Network Protocol	TCP/UDP/HTTP/UPnP/DHCP/DDNS/NFS/FTP/NTP/ RTSP /SMTP/SNMP
IP Address	Static/Dynamic IP Address, MTU Customization
OSD Character	Support 16x16, 24x24, 32x32, 48x48, 64x64, 96x96 sized Picture/ Time,Date and Week / Extra Character 2 Lines in 5 Areas
System Time	Supports External Synchronization, NTP Timing, Time Zone Setting, Daylight Saving Time
Remote Management	Remote Network Upgrade/Parameters Setting/Configration Import and Export
Smart Alarm	Motion Detection/Blocking Alarming
Universal Function	One-click Recovery, Heartbeat, Password Protection, Black and White List
VCA	Tripwire/Double Tripwire/Perimeter/Object Abandon/Object Lost/Running/Loitering/Parking/Crowd Counting/Video Abnormal Detection, Facial Facial Recognition (Suggest Opening the Motion in the HD Mode)
Specifications	
Protection Level	IP67, Surge Prevention 2000V
Operating Temperature	-30℃~60℃ (IR Off) ; -30℃~40℃ (IR On)
Operating Humidity	0~95% (No Condensation)
Power Supply	DC12V±20%; POE (802.3af)
Dimensions	189mmx70mmx70mm
Weight	0.6Kg