



DA-S 20-130/T-EN54

- quick mounting
- aluminium housing
- BS 5839



EN 54-24:2008
Ref. Nr.: 002-13
ID-Code: SAA-LS02
1438-CPR-0234

ic audio GmbH, Boehringerstraße 14a,
D-68307 Mannheim, Germany

CE-Symbol gemäß Richtlinie 93/68EWG

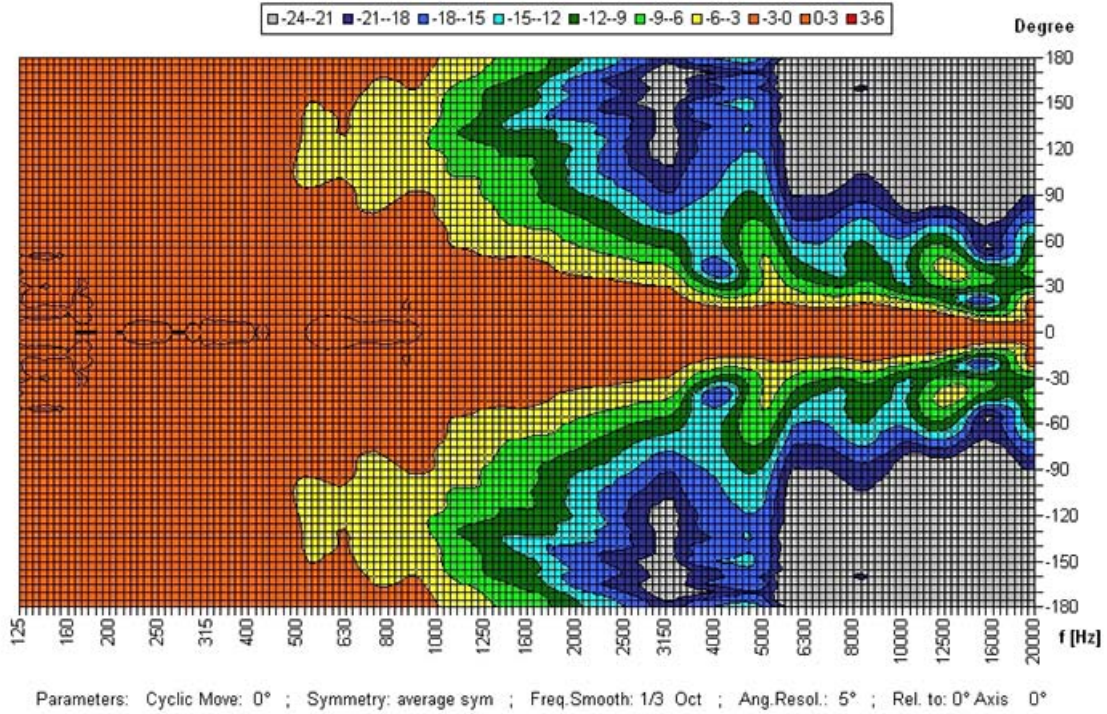
The 20W powered speaker is equipped with a 130mm full-range loudspeaker and a 100V line transformer with 4 power adjustments. A robust powder coated aluminum housing in RAL 9010, and a solid aluminium mounting bracket ensures the permanent installation of this speaker. For additional reliability, a 2 pin-ceramic block and a thermal fuse is provided in a junction box and the speaker chassis is impregnated against wetness.

The speaker is also secured with the high protection class IP 65 against the risks of environmental influences. The speaker is compliant with the British Standard BS 5839, Part 8.

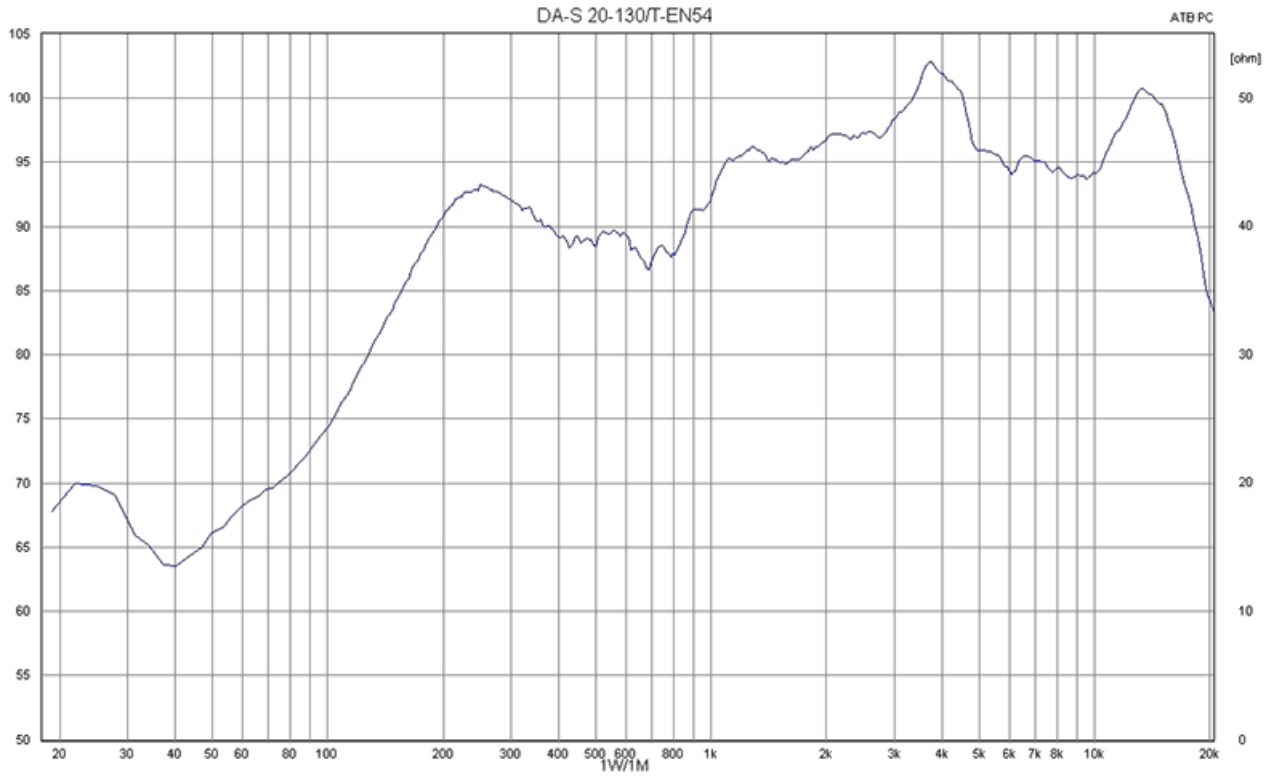
Optionally available is a mast bracket (MB) for about 200mm mast diameter.

Polar Diagrams

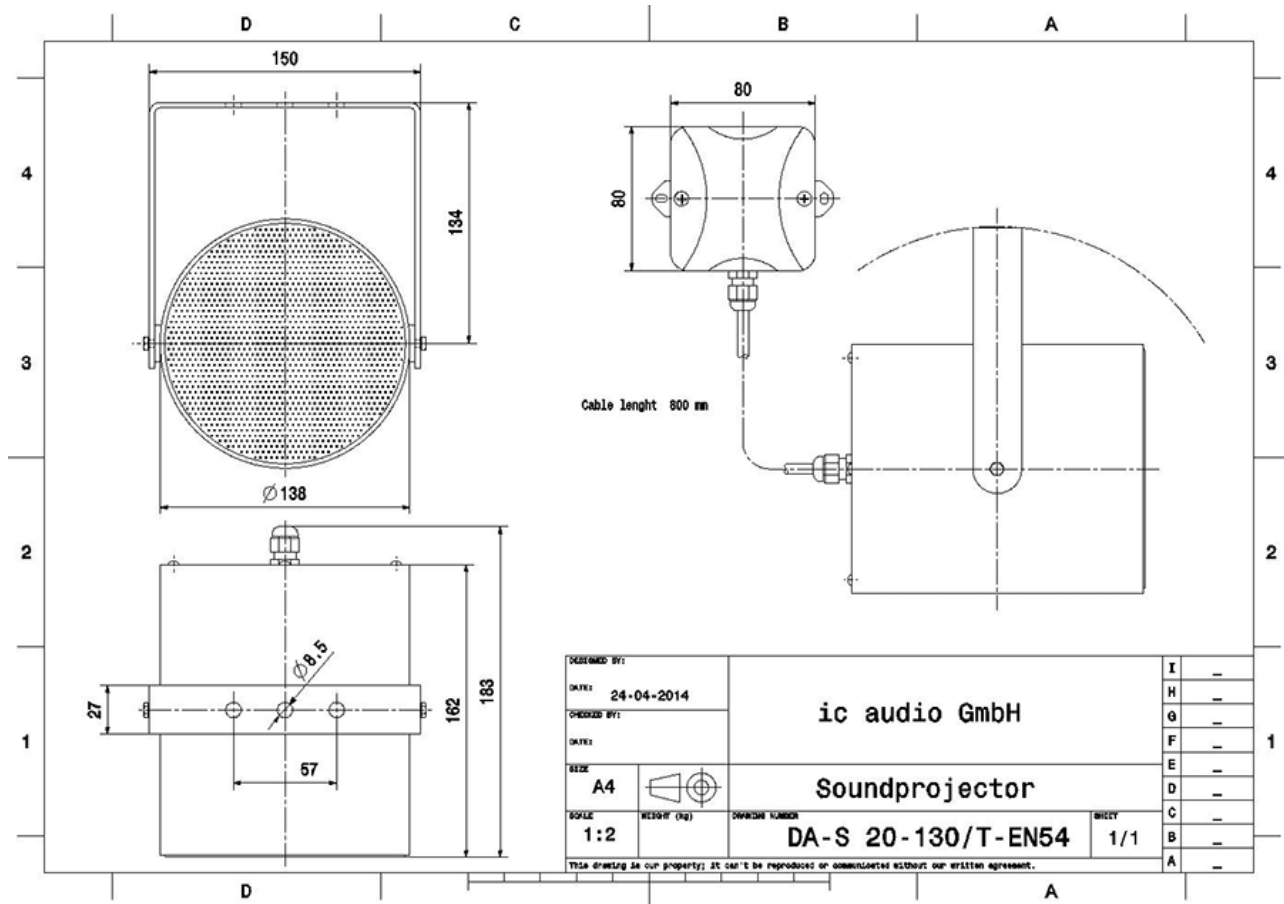
Copyright by Four-Audio GmbH & Co KG Licensed to AAC



Frequency Response Diagrams



Technical Diagrams



Technical Data (Electrical)

Description	DA-S 20-130/T-EN54
Power	20/15/10/5 W
Impedance (100V)	500/667/1000/2000 ohm
Frequency Range	800 - 16.700 Hz
Frequency Response	150 - 20.000 Hz
SPL 1W/1m, peak	103,2 dB
SPL , 1W/4m, peak	91,2 dB
SPL Pmax/4m, peak	104,2 dB
Sensitivity EN54-24, 1W/4m	80,3 dB
Sensitivity IEC 268-5, 1W/1m	92,3 dB
Dispersion -6dB, 500Hz	360°
Dispersion -6dB, 1KHz	210°
Dispersion -6dB, 2KHz	105°
Dispersion -6dB, 4KHz	55°

Technical Data (Mechanical)

Dimensions	183x150 mm
IP Rating	IP65
Weight (net)	2,52 kg
Temperature range	-20 / +90 °C
Mounting	Mounting bracket
Connector	2-pin ceramic block
Maximum cable cross section	8mm ²
Max. cable cross section loop	2x2mm ²
Colour	RAL 9010

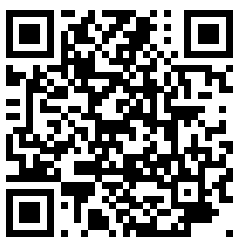
Product Attributes



ic audio loudspeakers are tested and classified according to the IEC standard 60529 (degree of protection by enclosure) against the penetration of foreign objects and moisture. The classification is conforming to standards through characterization with a fixed code. This code consists of the letters IP (International Protection) followed by two digits. The first digit indicates the degree of protection against dust and the second digit the degree of protection against water. Please note that the testing of the products has been carried out in laboratory conditions which are not always 100% comparable with the conditions of different installation environments. This protection can be reduced due to normal wear and tear depending on the installation environment. Therefore our warranty does not cover any damage caused by liquids.

Measurements according to DIN IEC 268-5 | RoHS compliant (2011/65/EU)

The IP rating specified is based on ic audio test results, not on CNBOP-PIB test results. Certification only verifies the minimum requirements for EN54-24 compliance.



Article Nr.: 20102185

Packing Unit: 8

